

SHACK™
**SMPTE HYBRID ALTERNATIVE
CONNECTOR KIT**



**SHACK™ – SMPTE conversion device
for singlemode fibre (SC, ST, FC or LC)**

The SHACK™ is a conversion system from SMPTE connectors/cable to standard singlemode connectors.

The system provides a transition from optical communication over hybrid (copper and fibre) cables to optical communication over commonly available singlemode fibre

optic cables. The SHACK™ permits the camera to be locally powered while allowing the optical signals to be transmitted.

It is a lightweight and very compact solution for stadiums, sports arenas or outside broadcast applications.

Technical characteristics

Characteristics	Values
Fibre type	Singlemode
Hybrid connector	LEMO 3K.93C Series
Singlemode fibre connector	SC, ST, FC, LC
Temperature range	-20°C to +60°C
CCU supply voltage range	15 V to 360 V
EMI/RFI	Complies with 89/336/EEC
Electrical	Complies with EN 61000-6-1, EN61000-6-2
Laser Safety	Complies with Class 1 laser product 24 CFR 1040.10 & 1040.11
Humidity range	Up to 95%
Warranty	5 years
Return loss	≤ 45 dB per unit
Average insertion loss	0.41 dB per unit

Features

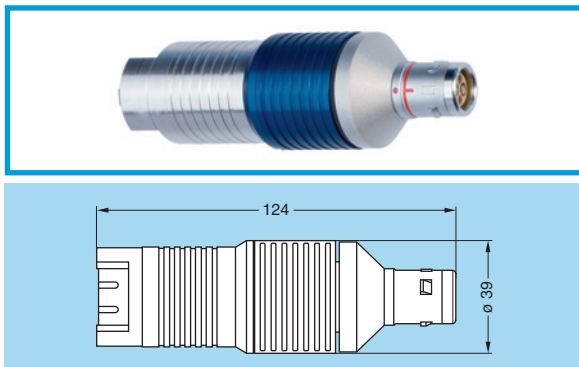
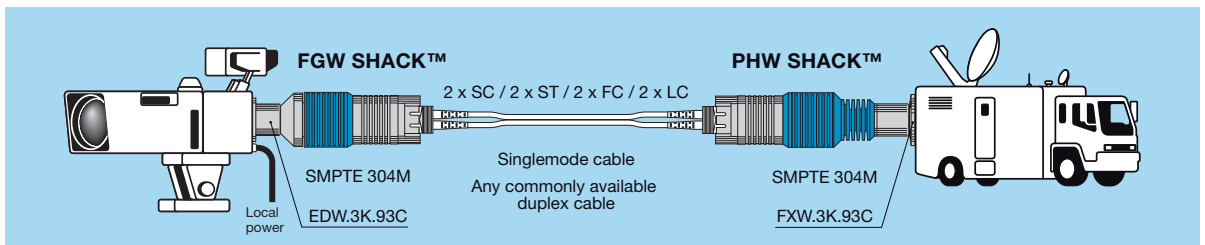
- Converts from SMPTE 304M connectors to standard duplex fibre optic cable assemblies
- Plugs directly into camera/base station

Advantages

- Plug & play solution
- High quality signal transmitted over fibre
- Compact
- Uses inexpensive SC, ST, FC or LC connectors
- Camera brand independant

Applications

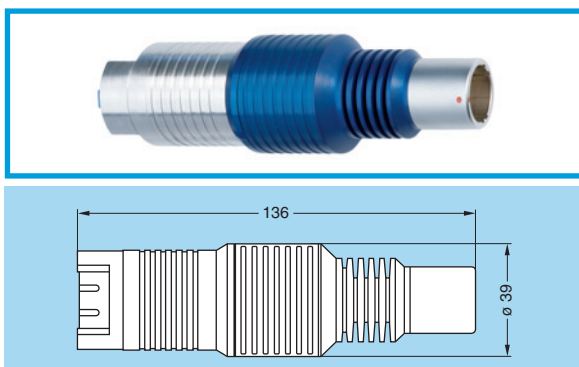
- Golf, skiing, auto racing, olympic games
- Pre-fibred venues
- Stadiums, racing tracks



FGW Straight plug 3K.93C - singlemode

Part Number	Singlemode fibre connector	Note
FGW.3K.93C.CLMSC	SC	●
FGW.3K.93C.CLMST	ST	●
FGW.3K.93C.CLMFC	FC	○
FGW.3K.93C.CLMLC	LC	○

- Standard
- Upon request



PHW Free socket 3K.93C - singlemode

Part Number	Singlemode fibre connector	Note
PHW.3K.93C.CLCS	SC	●
PHW.3K.93C.CLCS	ST	●
PHW.3K.93C.CLCS	FC	○
PHW.3K.93C.CLCS	LC	○

- Standard
- Upon request

LEMO HEADQUARTERS

SWITZERLAND
LEMO SA
Chemin des Champs-Courbes 28 - P.O. Box 194 - CH-1024 Ecublens
Tel. (+41 21) 695 16 00 - Fax (+41 21) 695 16 02 - e-mail: info@lemo.com

www.lemo.com